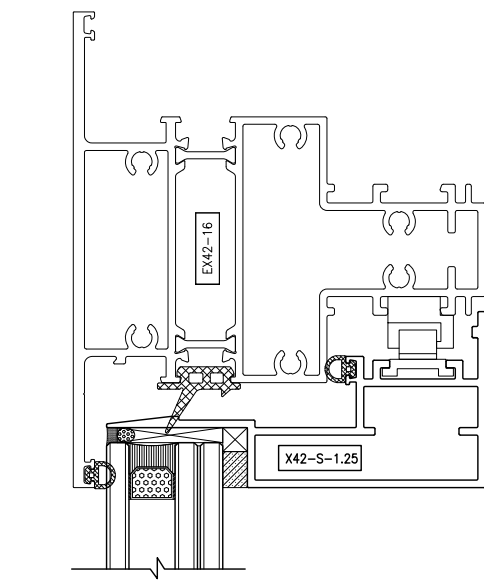
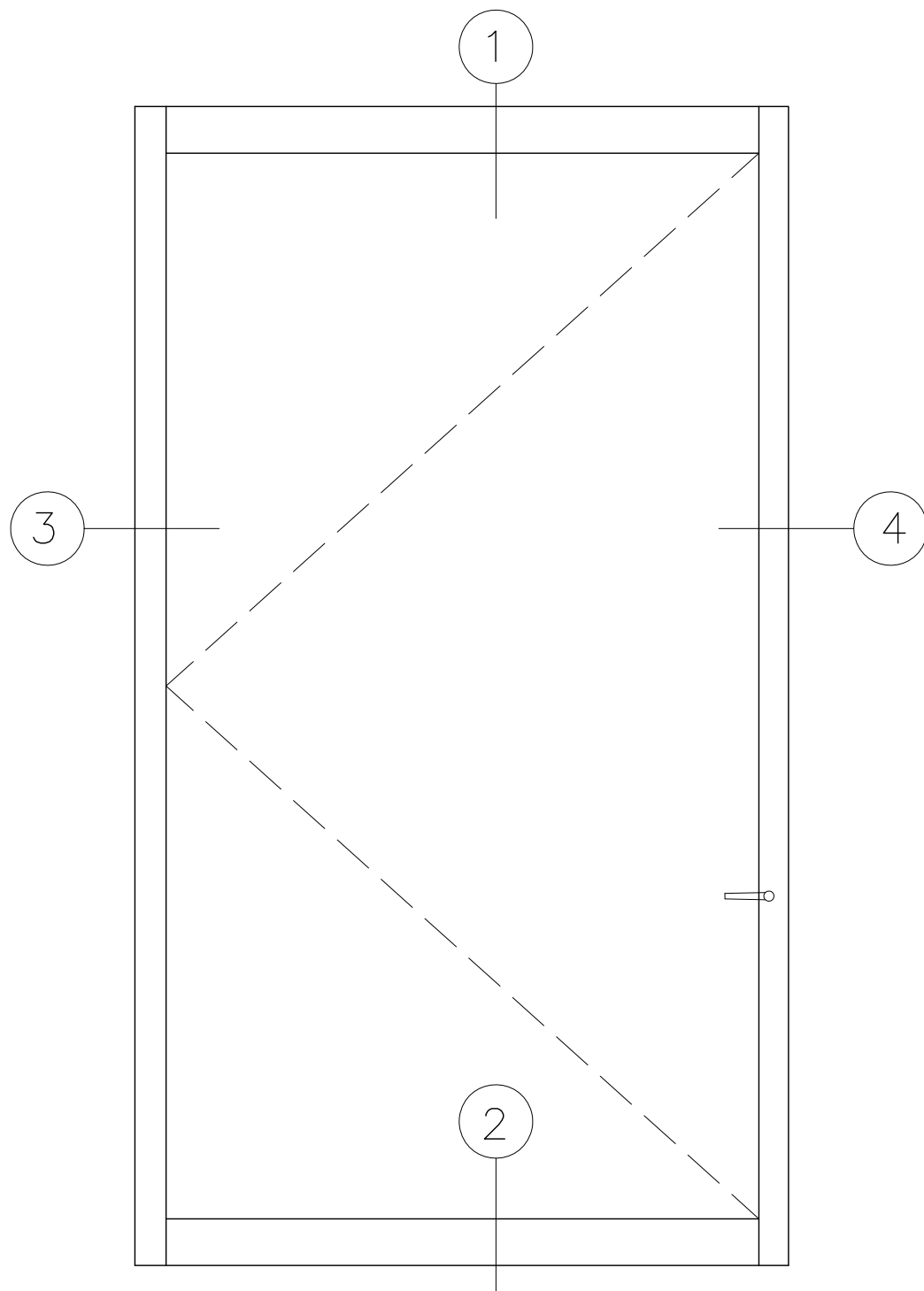
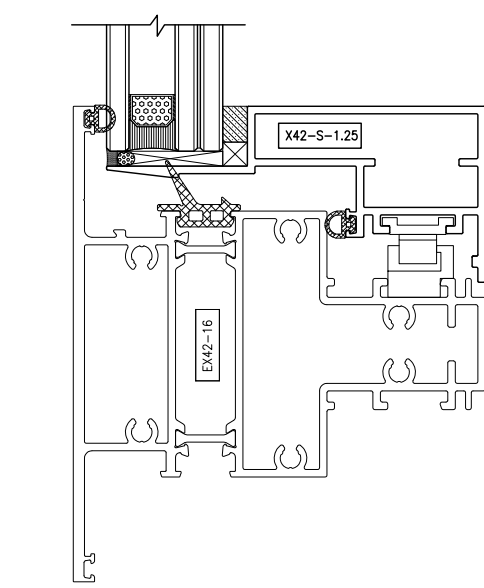


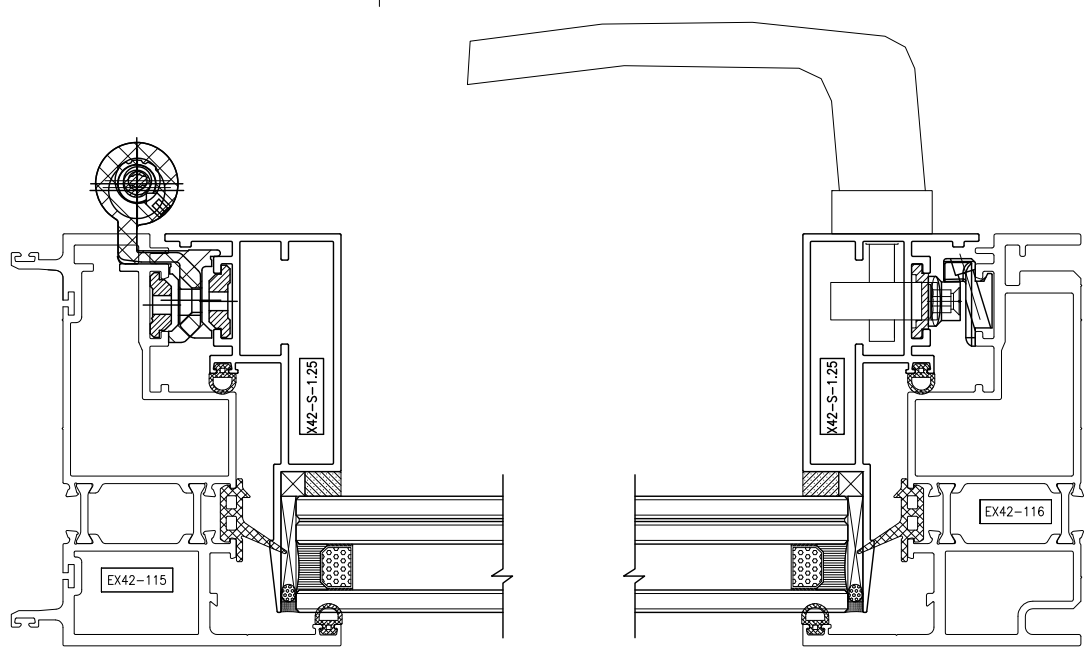
# Window - Inswing Casement



1 Horizontal Detail - Casement Sash Top Rail



2 Horizontal Detail - Casement Sash Bottom Rail



3 Casement Detail @ Hinge

4 Casement Detail @ Handle