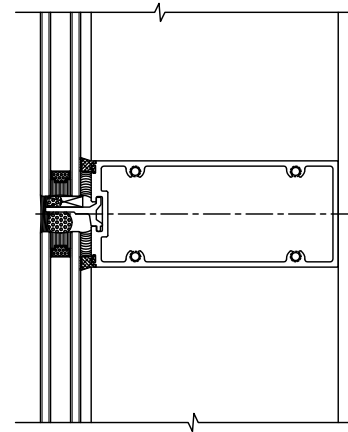
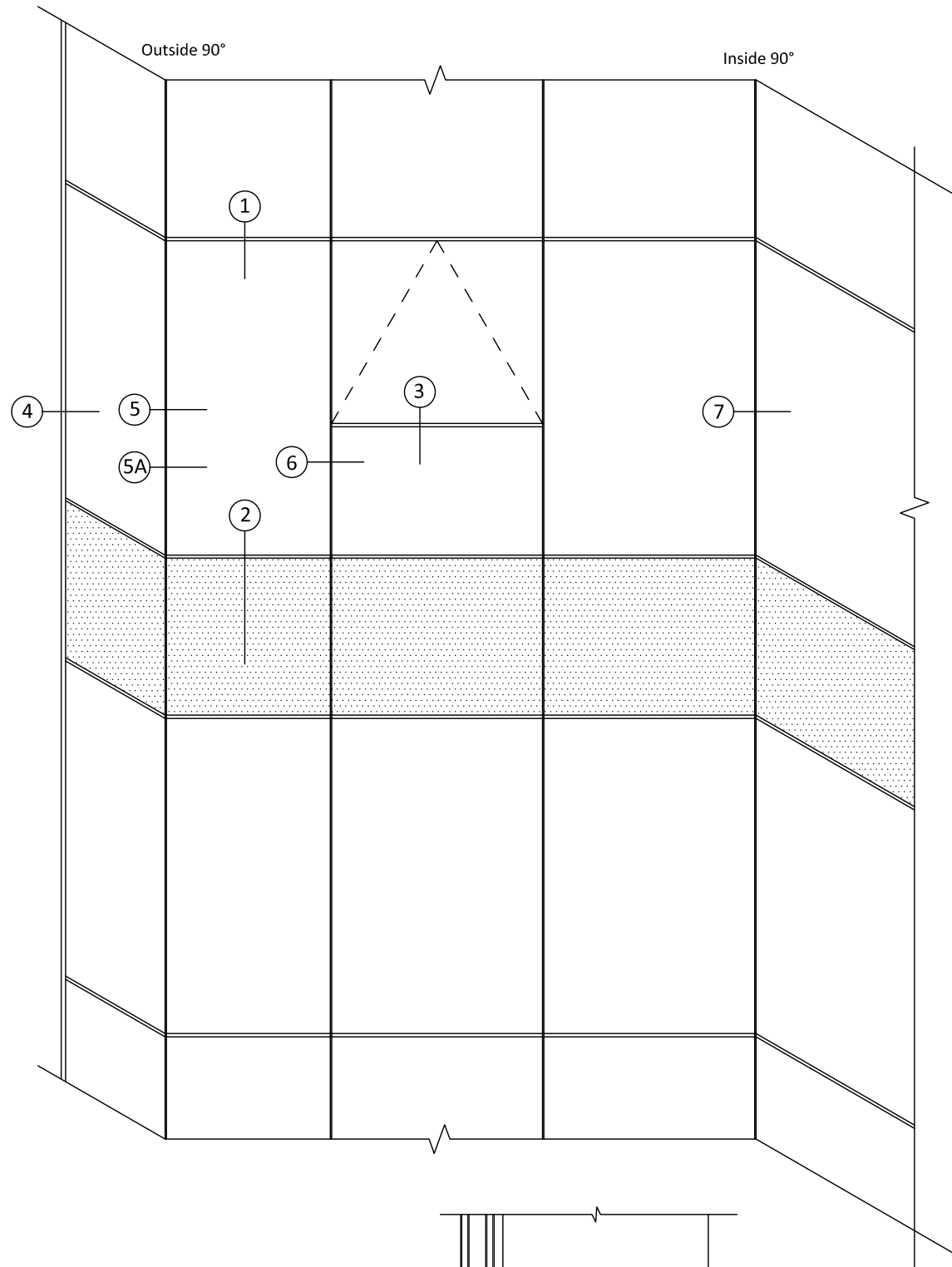
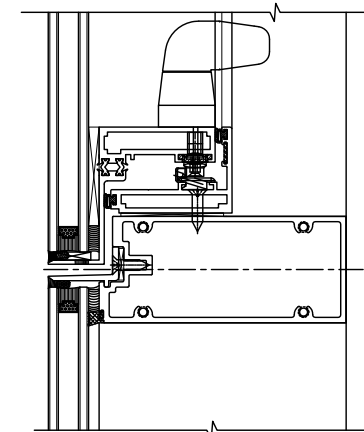


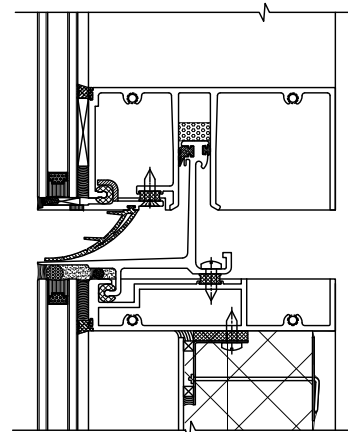
RWS - 7" Curtain Wall



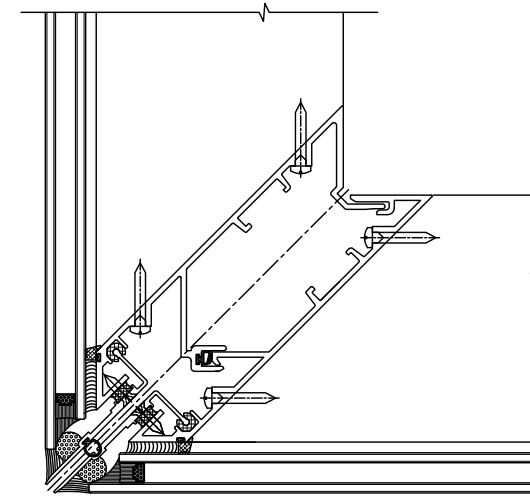
1 Intermediate Horizontal



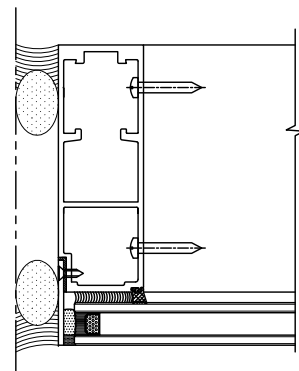
3 Project Out - Horizontal Detail



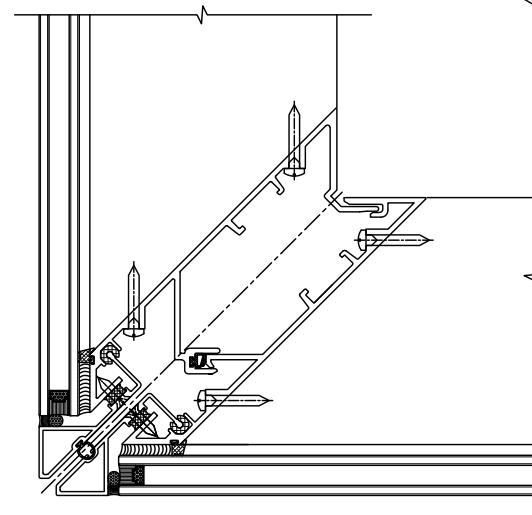
2 Stack Joint Detail



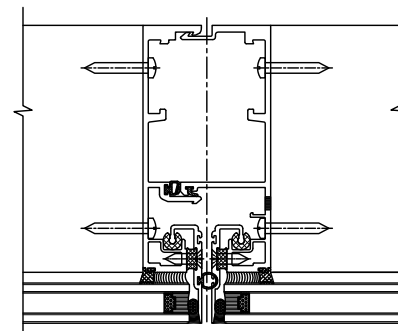
5A Outside Corner Alternate Detail



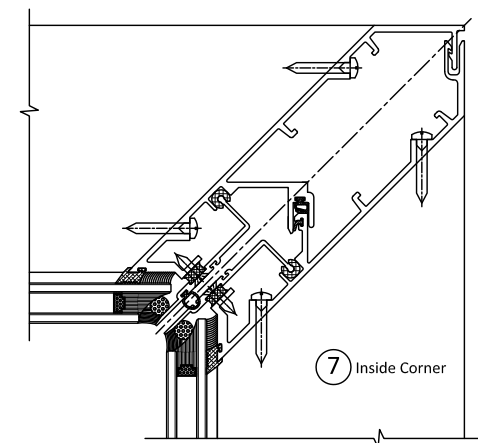
4 Jamb Mullion



5 Outside Corner



6 Vertical Mullion



7 Inside Corner