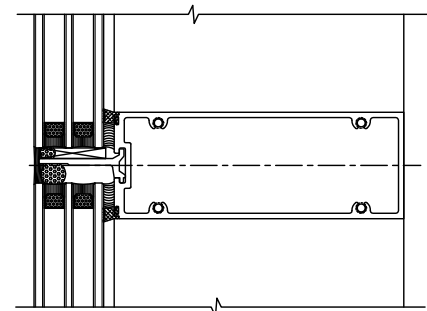
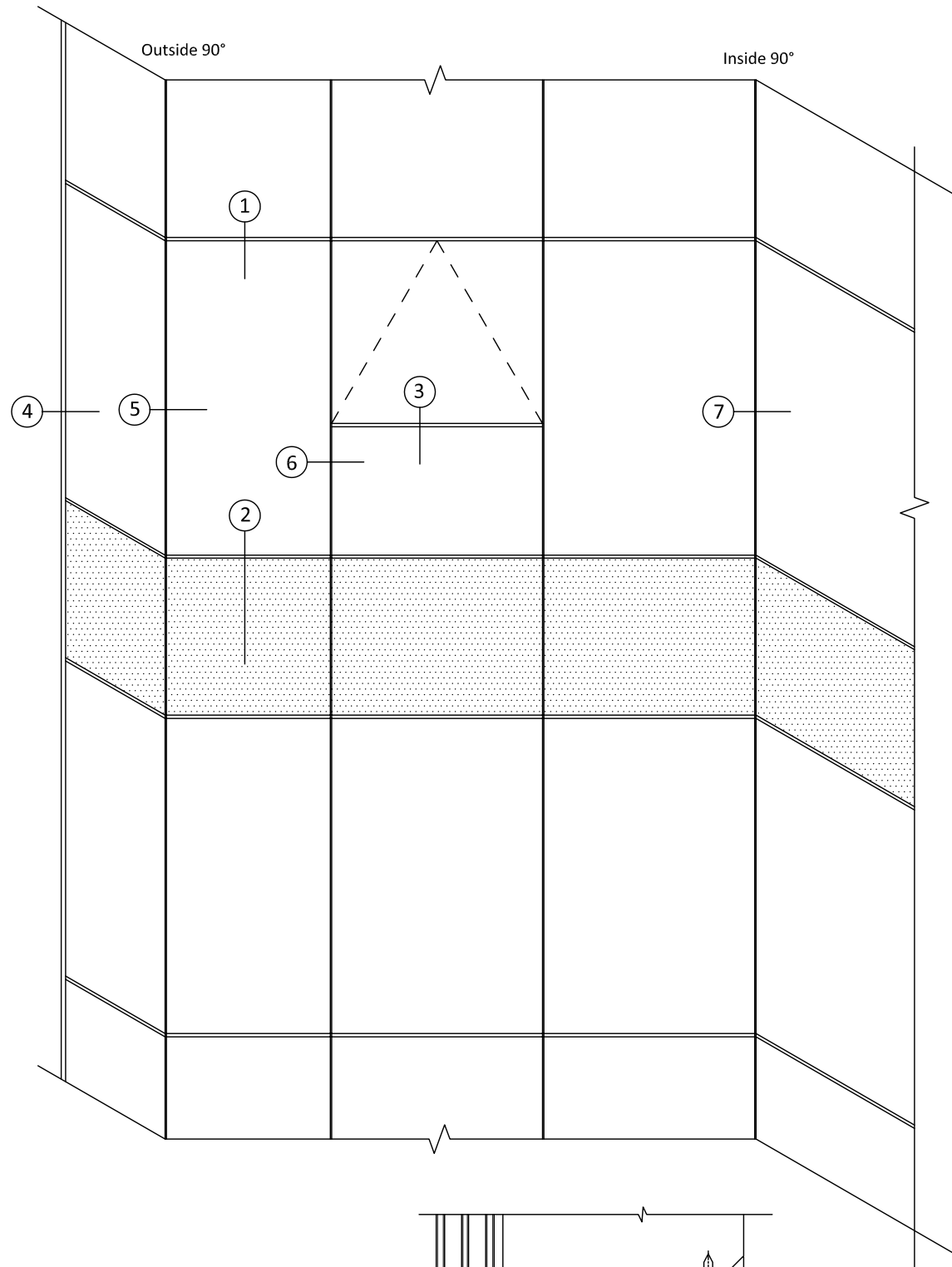
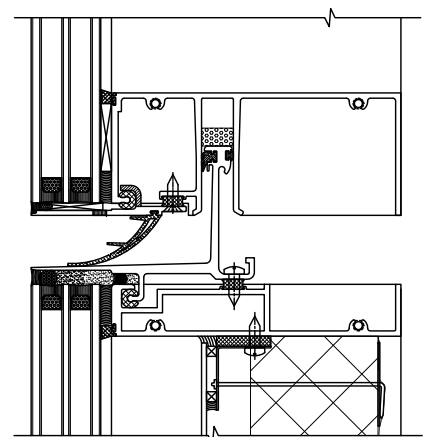


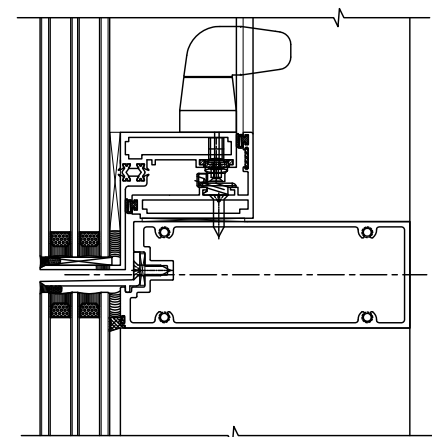
RWS - 9" Curtain Wall - 1 $\frac{5}{8}$ " IGU (Triple Pane)



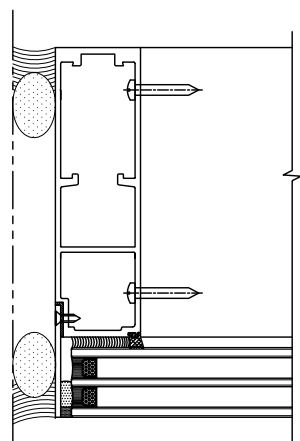
1 Intermediate Horizontal



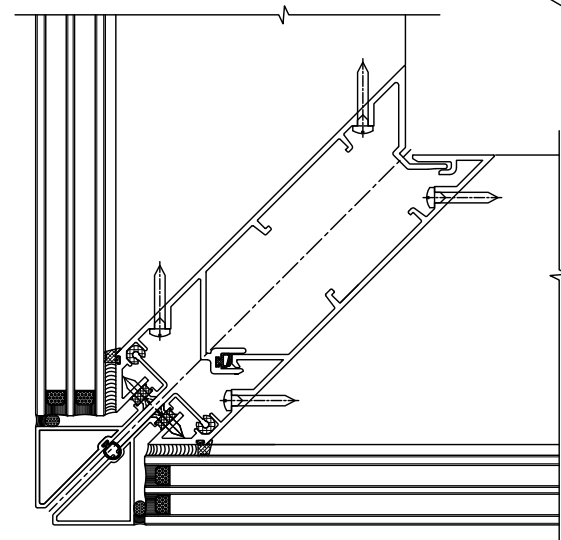
2 Stack Joint Detail



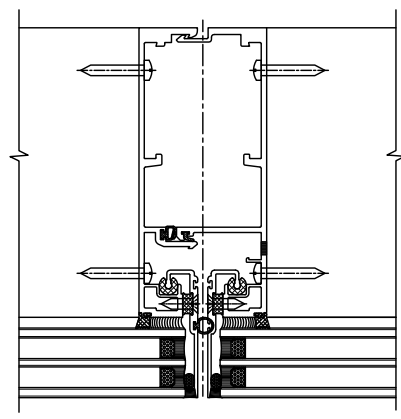
3 Project Out - Horizontal Detail



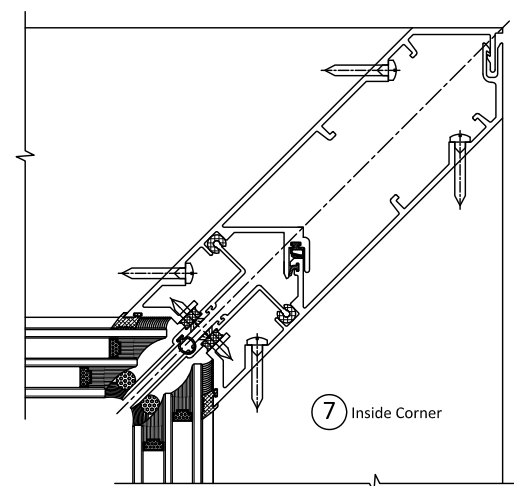
4 Jamb Mullion



5 Outside Corner



6 Vertical Mullion



7 Inside Corner