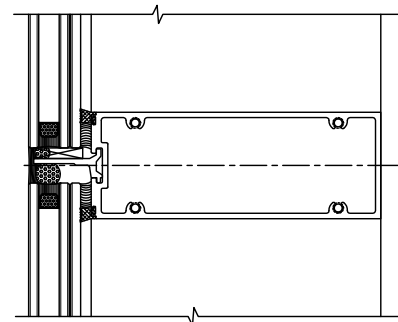
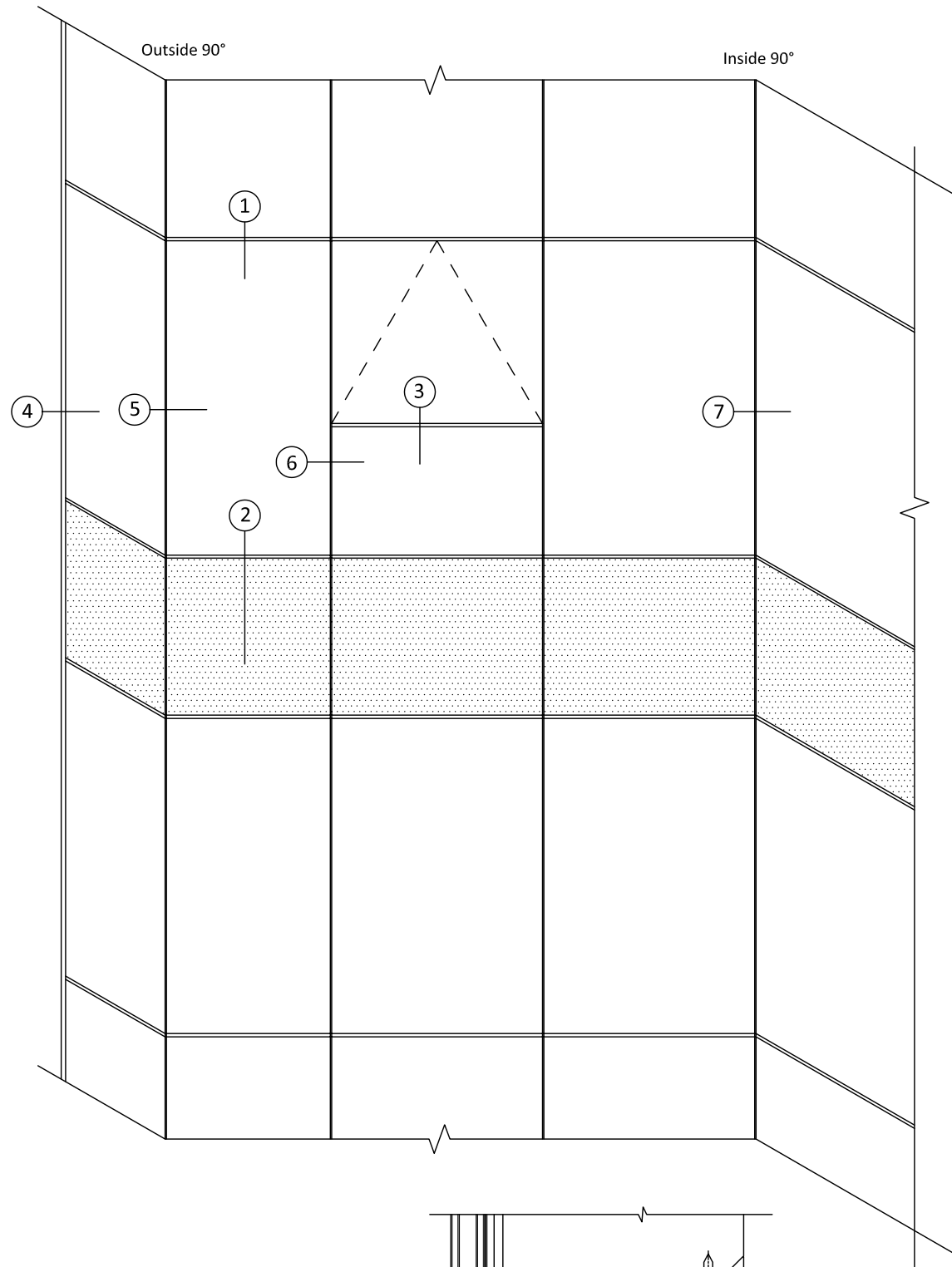
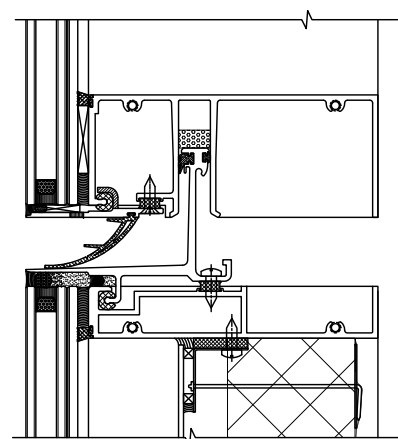


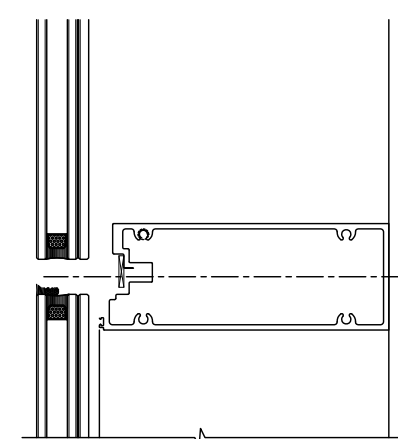
RWS - Curtain Wall - 1 1/4" IGU (Laminated)



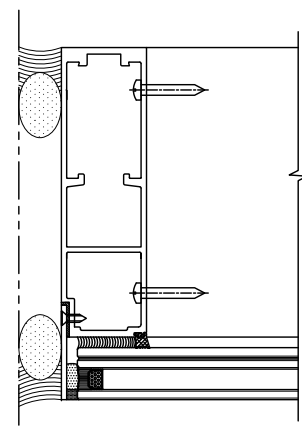
1 Intermediate Horizontal



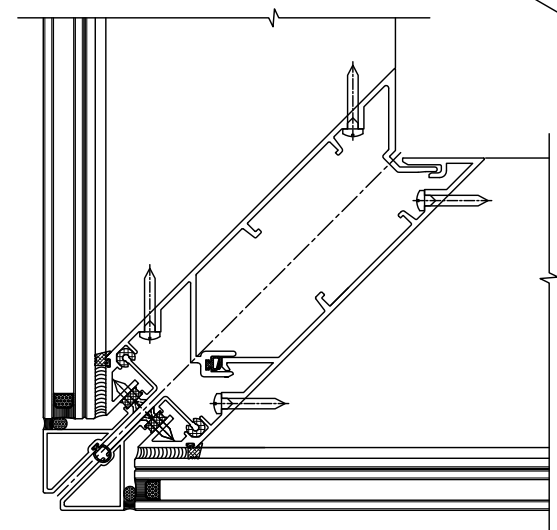
2 Stack Joint Detail



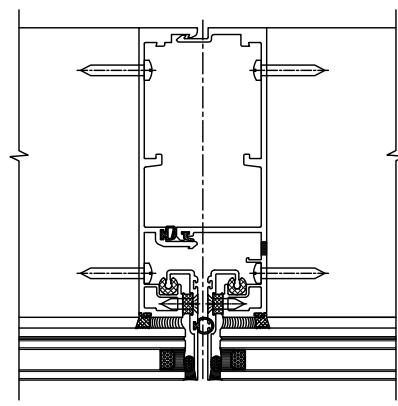
3 Project Out - Horizontal Detail



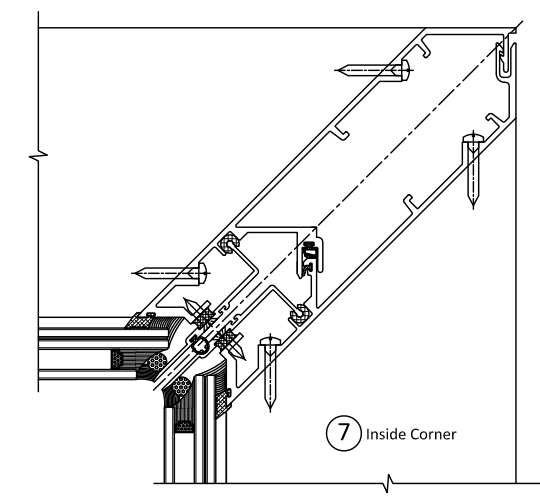
4 Jamb Mullion



5 Outside Corner



6 Vertical Mullion



7 Inside Corner